

abstracta[®] modular display system

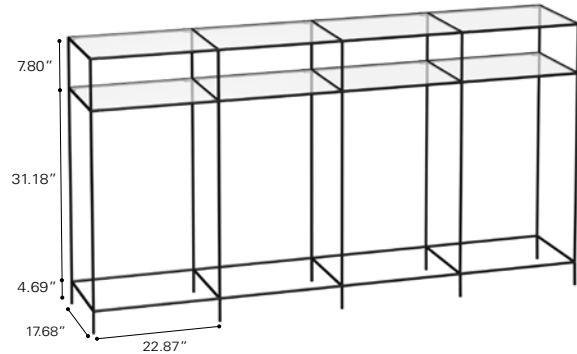
display solutions for artists and crafters



***1075-06**

\$459.00

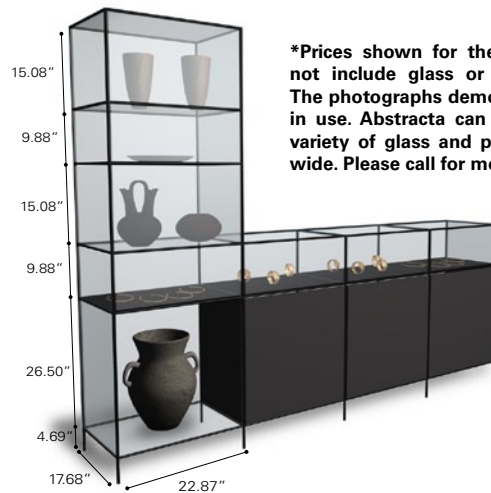
45.20" h / 94.03" w / 18.70" d
12 fixed shelves (1722)



***1075-08**

\$606.50

84.17" h / 94.03" w / 18.70" d
15 fixed shelves (1722)

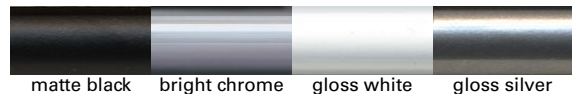


*Prices shown for the 1075 units do not include glass or vertical panels. The photographs demonstrate designs in use. Abstracta can provide a wide variety of glass and panels up to 23" wide. Please call for more information.

Shelf & Tubing Options

Glass is the most popular shelving option Abstracta provides. Other options including mirrored glass, acrylic and wood can be custom ordered for shelves and panels up to 23".

All designs are available in bright chrome plating or in matte black, gloss silver or gloss white powder coated finishes.



Custom Design Service

Stock designs are available with or without shelving. Each unit can be modified to meet your specific needs and are available with or without legs.

Our design service is available to assist with your ideas for special displays or furniture configurations. Consort will provide **one hour of complimentary design time** for simple modifications to stock designs. More complex changes or custom configurations may incur a \$50 per hour fee with a \$25 (30 min.) minimum charge.

Abstracta is the perfect solution to present your work at its best. Our most popular models for artisans are shown here. The possibilities are endless with Abstracta. Use your imagination to create your own one-of-a-kind display. Our professional design team can bring your ideas to life. Call today!

***1075-03** **\$589.50**

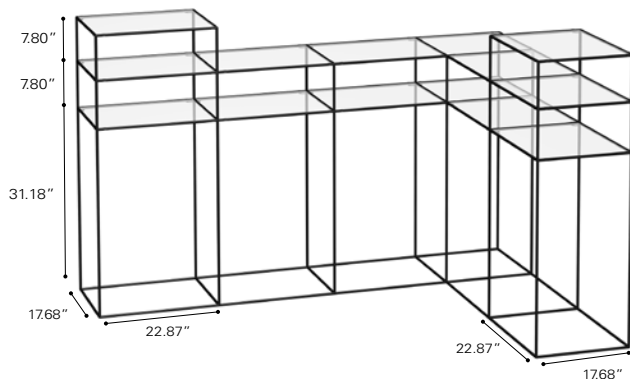
47.28" h / 83.65" w / 65.46" d
6 fixed shelves (1717c)
12 fixed shelves (1722)*



The 1075-03 pictured above has been customized with non-traditional panels, fabrics and raised jewelry displays. The price is **not** for the unit as shown.

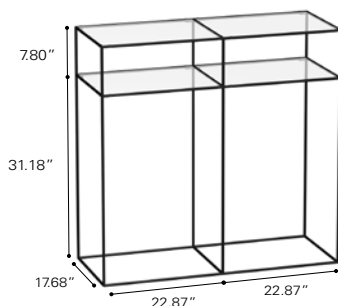
***1075-04** **\$672.00**

48.82" h / 88.84" w / 65.46" d
2 fixed shelves (1717)
12 fixed shelves (1722)



***1075-05** **\$216.00**

40.51" h / 47.27" w / 18.70" d
4 fixed shelves (1722)





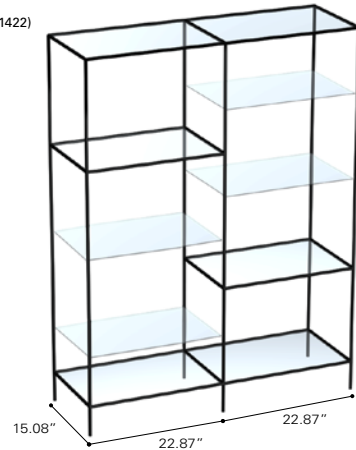
2006 Series - Abstracta Pedestals



210 |

52.48" h / 47.27" w / 16.10" d
6 fixed shelves (1422)
4 adjustable shelves (1422)

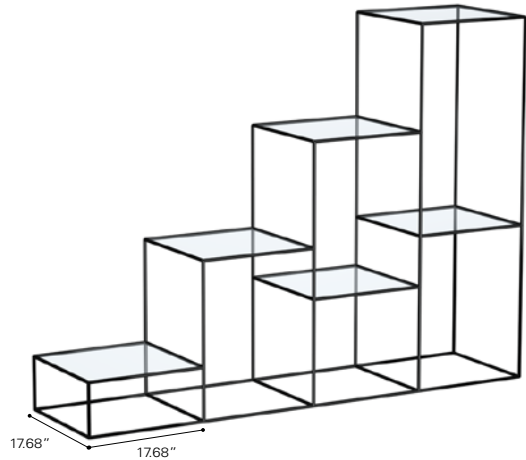
\$414.50



972 |

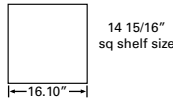
55.58" h / 73.27" w / 18.70" d
6 fixed shelves (1717)

\$467.00



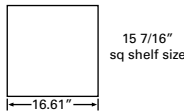
15" square:

Model #	Height	
2006-1524	24"	\$99.50
2006-1536	36"	\$105.50
2006-1548	48"	\$132.50



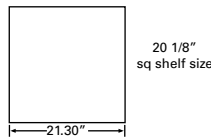
16" square:

2006-1636	36"	\$105.00
2006-1642	42"	\$128.00
2006-1648	48"	\$132.50
2006-1664	64" (w/2 shelves)	\$171.50



22" square:

2006-2236	36"	\$127.50
2006-2242	42"	\$154.50
2006-2248	48"	\$182.00

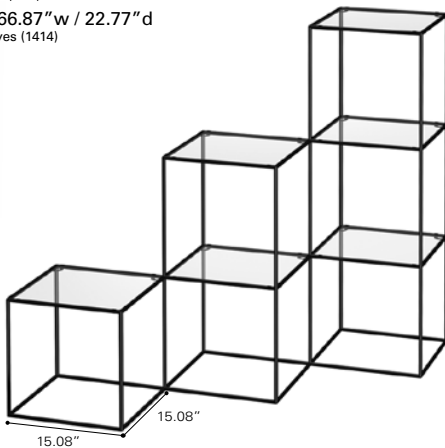


Other sizes available.

151 |

47.28" h / 66.87" w / 22.77" d
6 fixed shelves (1414)

\$424.50



The above units are priced with tempered glass shelves. All units can be ordered without shelves or with acrylic, mirrored glass or wood shelves. Call for pricing.

Stock Units and Components

Stock units are designed in the 13mm (1/2") system. Additional parts (connectors, accessories, etc.) are always available with no minimum order requirement. Call our sales team for pricing.

Assembly

We encourage the use of the Abstracta Nylon Mallet (913) for assembly, the Abstracta Disconnect Tool (915) and Extractor Rod (EX-ABS) for taking 13mm units apart. A 10% discount will be applied to these three items when purchased with a stock, modified or custom unit. We recommend using a small amount of non-corrosive lubricant on the connectors prior to assembly. The 19mm system is designed for permanent use only.